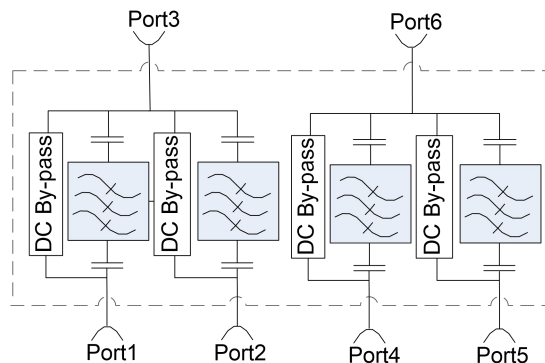


1695-1780&2110-2700/1850-2000 Triplexer

Specifications :

| Part No. | HT-TRIPLEX-1620-4310F | |
|-----------------------|-----------------------------------|--------------|
| Port | Port 2&4 | Port 1&5 |
| Frequency range | 1695-1780&2110-2700MHz | 1850-2000MHz |
| Insertion loss | ≤0.4dB | |
| Rejection | ≥50dB | |
| Return Loss/VSWR | ≤-20dB/1.22 | |
| Impedance | 50Ω | |
| Input power | 200W(avg.) | |
| Intermodulation | < -160dBc(with 2×20W) | |
| DC/AISG | By-pass(Max.3000mA) | |
| Lightning Protection | 10KA,10/350μs pulse | |
| Operation temperature | -20°C to +65°C | |
| Storage temperature | -40°C to +85°C | |
| Humidity | 5% -95% | |
| Application | Indoor or outdoor (IP67) | |
| Weight | 1.5kg | |
| Color | 409C Grey | |
| Dimensions | 181*103*101mm (without connector) | |
| RF Connectors | 4.3-10 Female | |
| HT Part Code | 9508061251 | |

Schematic Diagram :



Outline Drawing :

